

Wired Remote Controller Installation Manual Installation Instruction

SAFETY PRECAUTIONS

- Read the following "SAFETY PRECAUTIONS" carefully before installation.
- Electrical work must be installed by a licensed electrician.
- The caution items stated here must be followed because these important contents are related to safety. The meaning of each indication used is as below. Incorrect installation due to ignoring of the instruction will cause harm or damage, and the seriousness is classified by the following indications.

	WARNING	This indication shows the possibility of causing death or serious injury.
	CAUTION	This indication shows the possibility of causing injury or damage to properties.

The items to be followed are classified by the symbols:

	Symbol with white background denotes item that is PROHIBITED from doing.
	Symbol with dark background denotes item that must be carried out.

- Carry out test running to confirm that no abnormality occurs after the installation. Then, explain to user the operation, care and maintenance as stated in instructions. Please remind the customer to keep the operating instructions and installation instruction for future reference.

WARNING

- Do not modify the length of the remote controller cable. Otherwise, it will cause fire or electrical shock.
- Be sure to turn off the main power before installing and connecting the remote controller. Otherwise, it will cause the electrical shock.
- Engage authorized dealer or specialist for installation. If installation done by the user is defective, it will cause electrical shock or fire.
- Install according to this installation instructions strictly. If installation is defective, it will cause electrical shock or fire.
- Use the attached accessories parts and specified parts for installation. Otherwise, it will cause the set to fall, fire or electrical shock.
- For electrical work, follow the local national wiring standard, regulation and this installation instruction. Otherwise, it will cause the electrical shock or fire.
- Wire routing must be properly arranged so that control board cover is fixed properly. If control board cover is not fixed perfectly, it will cause fire or electrical shock.
- If passing the remote controller cable through a wall, be sure to install a water trap above the cable. Otherwise, it will cause the electrical shock.

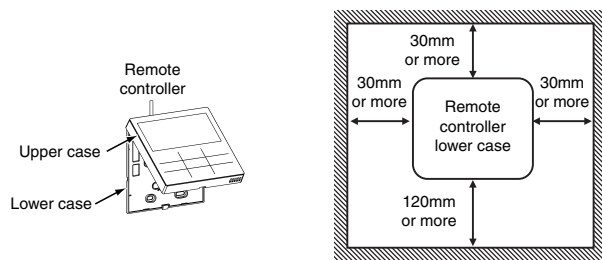
CAUTION

- Do not touch the sharp aluminium fin of air conditioner unit during wired remote controller installation, sharp parts may cause injury.
- Install in a flat surface to avoid warping of remote controller, else damage to the LCD case or operation problems may result.
- Avoid installing the remote controller cable near refrigerant pipes or drain pipes, else will cause electrical shock or fire.
- Install the remote controller cable at least 5cm away from electric wires of other appliances to avoid miss operation (electromagnetic noise).
- Be sure to use only the accessory screws to avoid damage of remote controller PCB.

ATTACHED ACCESSORIES

No.	Name	Qty	Diagram	Remark
1	Remote controller	1		
2	Remote controller cable	1		Length (9.9m)
3	Screw (M4 machine pitched - 30mm)	3		Installing the remote controller to an outlet box (embedded cable)
4	Screw (M4 self tapping - 14mm)	3		Installing the remote controller to the wall (exposed cable)
5	Remote controller cable holder	1		Holder for remote controller cable at control board
6	Screw (M4 self tapping - 12mm)	1		<ul style="list-style-type: none"> • Tighten remote controller cable with holder • Installing the remote controller cable to control board (only applicable for wall mounted models)
7	Screw (M4 self tapping with washer)	1		Installing the green wire to grounding location

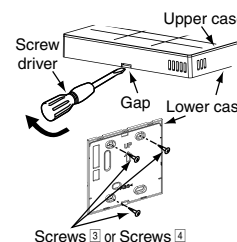
1. SELECTING THE INSTALLATION LOCATION



- Allow sufficient space around the remote controller 1 as shown in the illustration above.
- Install in a place which is away from direct sunlight and high humidity.
- Install in a flat surface to avoid warping of the remote controller. If installed to a wall with an uneven surface, damage to the LCD case or operation problems may result.
- Install in a place where the LCD can be easily seen for operation. (Standard height from the floor is 1.2 to 1.5 meters.)
- Avoid installing the remote controller cable near refrigerant pipes or drain pipes, else it will cause electrical shock or fire.

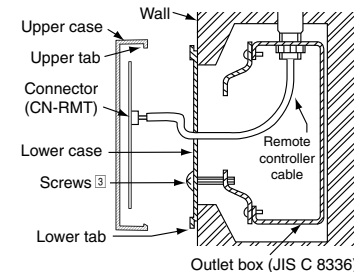
2. INSTALLING THE REMOTE CONTROLLER UNIT TO THE WALL

1. Remove the remote controller 1 lower case. (Insert a flat-tipped screw driver or similar tool 2 to 3 mm into one of the gaps at the bottom of the case, and twist to open. Refer to the illustration at right.) Be careful not to damage the lower case.
2. Do not remove the protective tape which is affixed to the upper case circuit board when remove the remote controller lower case.
3. Secure the lower case to an outlet box or wall. Refer to (A) or (B) instructions below depending on your choice of cable installation.
4. Be sure to use only the screws provided.
5. Do not over tighten the screws, as it may result in damage to the lower case.



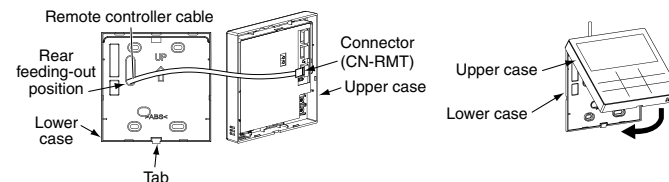
A. IF REMOTE CONTROLLER CABLE IS EMBEDDED

1. Embed an outlet box (JIS C 8336) into the wall. Outlet box maybe purchased separately. Medium size square outlet box (obtain locally) Part No. DS3744 (Panasonic Co., Ltd.) or equivalent.
2. Secure the remote controller lower case to the outlet box with the three accessory screws 3. Make sure that the lower case is flat against the wall at this time, with no bending.
3. Pass the remote controller cable into the box.
4. Route the remote controller cable inside the lower case through rear feeding-out direction.
5. Insert firmly the connector of remote controller cable to connector (CN-RMT) in the upper case circuit board. (Refer to the illustration at below.)
6. Secure the remote controller upper case to the lower case with the tabs provided.

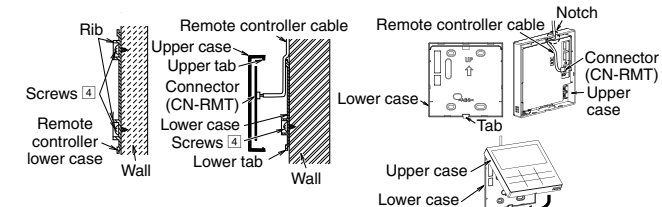


CAUTION

When the wall is hollow, please be sure to use the sleeve for remote controller cable to prevent dangers caused by mice biting the cable.



B. IF REMOTE CONTROLLER CABLE IS EXPOSED



1. Install the remote controller lower case to the wall with the three accessory screws 4.
2. Fasten the screws properly until screw head is lower than the rib and reach the base of remote controller lower case to ensure they do not damage the PCB inside the remote controller 1.
3. The feeding-out direction for the remote controller cable shall be via the top side.
4. Use nipper to cut a notch at the upper case.
5. Route the remote controller cable inside the upper case. (Refer to the illustration at right).
6. Insert firmly the connector of remote controller cable to connector (CN-RMT) in the upper case circuit board. (Refer to the illustration at right)
7. Secure the remote controller upper case to the lower case with the tabs provided.

CONNECTING THE REMOTE CONTROLLER CABLE TO INDOOR UNIT

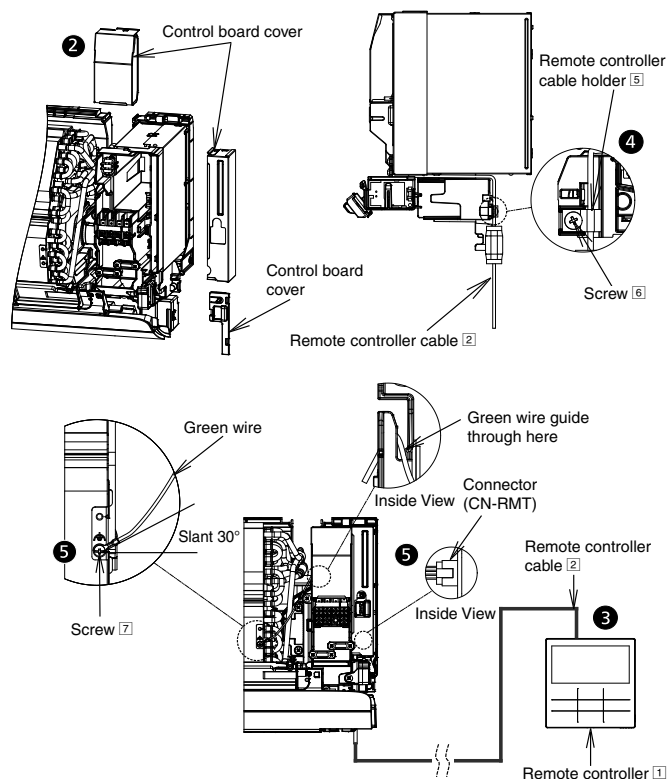


Be sure to turn off the main power before installing and connecting the remote controller. Otherwise, it will cause the electrical shock.

Note: Remote controller cable cannot be extended.

WALL MOUNTED MODELS

1. Open front grille complete (Please refer HOW TO TAKE OUT FRONT GRILLE in main unit Installation Instruction).
2. Open the control board covers.
3. Connect remote controller cable ② to remote controller ①.
4. Guide the remote controller cable ② through the cable holder ⑤ and tighten with screw ⑥ at the back side of the control board and then guide the remote controller cable ② into the unit through the side of the control board.
5. Insert firmly the connector of remote controller cable ② to Indoor PCB connector (CN-RMT) and tighten green wire from remote controller cable ② with screw ⑦ to the grounding location on evaporator.
6. After complete, install back removed parts following reverse procedure.



FLOOR CONSOLE MODELS

1. Open front grille complete (Please refer HOW TO TAKE OUT FRONT GRILLE in main unit Installation Instruction).
2. Open the control board cover.
3. Connect remote controller cable ② to remote controller ①.
4. Guide the remote controller cable ② through the back of the unit into the control board.
5. Insert firmly the connector of remote controller cable ② to Indoor PCB connector (CN-RMT) and guide the extra length of the green wire from remote controller cable ② as shown below and tighten it with screw ⑦ to the grounding location on the terminal board.
6. After complete, install back removed parts following reverse procedure.

